

5 TIER MDF SHELF

tradetested

SKU: 936092

ASSEMBLY INSTRUCTIONS

The only tool you require is a HAMMER

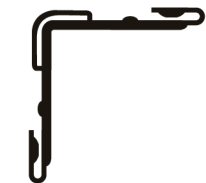
LIST OF PARTS



8 x Keyhole Uprights



8 x Plastic Feet



4x Leg Joiners



5x9mm MDF Shelves



10 x Long Shelf Supports

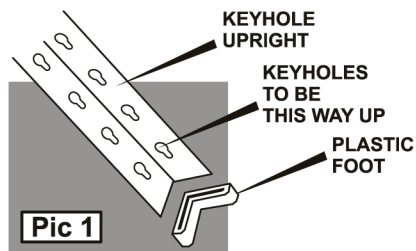


10 x Short Shelf Supports

WARNING

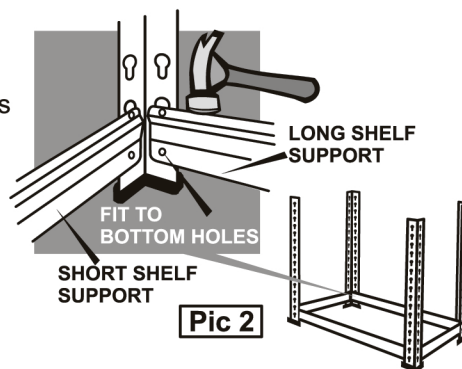
Handle cut metal edges carefully.

- 1 Attach a Plastic Foot to 1 end of 4 of the Keyhole Uprights. NOTE: Ensure keyholes are the correct way up. (Pic 1)



Pic 1

- 2 Fit 2 Short Shelf Supports and 2 Long Shelf Supports to the bottom holes (for maximum strength) of 4 Keyhole Uprights by slotting the Keylock Pins in the Supports into the Keyholes in the Uprights and tapping firmly with a hammer to seat in place. (Pic 2)



Pic 2

- 3 Fit Long and Short Shelf Supports where you want the 2nd Shelf to be positioned. These Supports must not be in the top 2 holes of the Keyhole Upright. (Pic 3) (We have shelf position recommendations listed below).



Pic 3

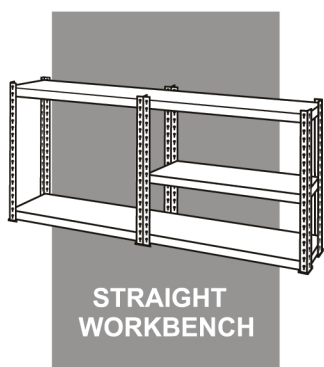
- 4 (GO TO 5 IF YOU ARE NOT ASSEMBLING AS A WORKBENCH)

a) Fit 2 Long Shelf Supports for the top of the Workbench into the holes at the top of the Keyhole Uprights and fit 1 Centre Brace to these Shelf Supports.

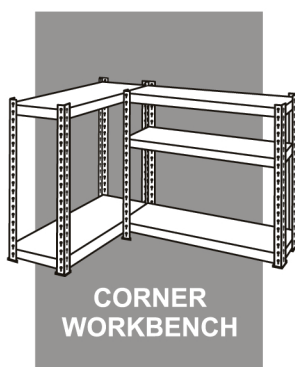
b) Use the remaining Keyhole Uprights, Long and Short Shelf Supports and Centre Braces to make either a Straight Workbench or a Corner Workbench, using the same method as above.

c) Install MDF shelves

d) Bolt the 2 halves of the Workbench together if needed. (nuts and bolts not supplied).

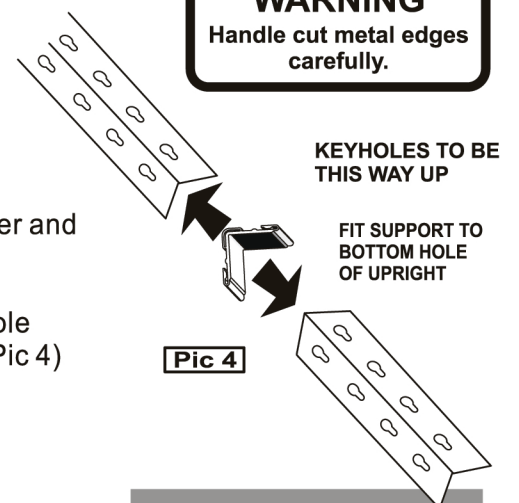


STRAIGHT WORKBENCH



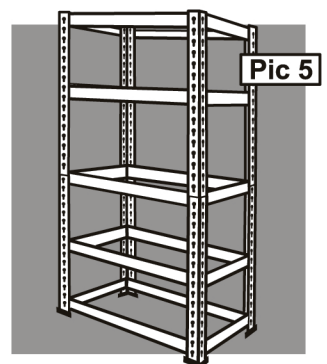
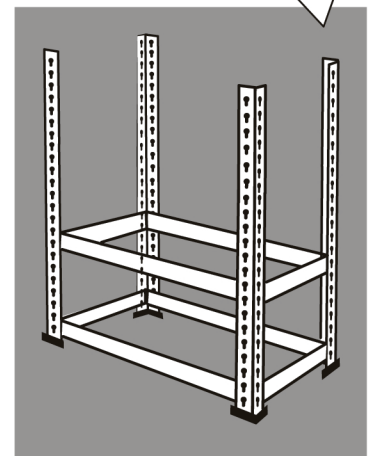
CORNER WORKBENCH

- 5 Connect 2 Keyhole uprights by inserting into leg joiner and use hammer to make them tightly. Repeat until all keyhole uprights connected (Pic 4)



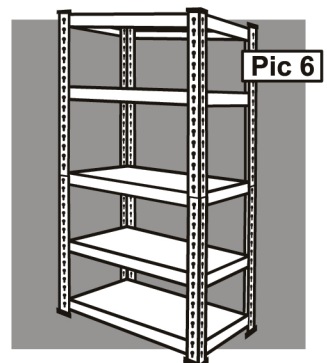
Pic 4

- 6 Fit long shelf supports and short shelf supports to the uprights at the 3rd, 4th and top shelf positions. (Pic 5)



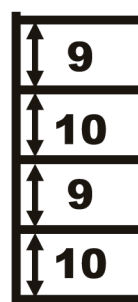
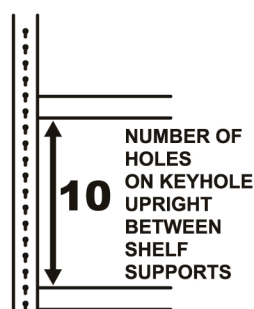
Pic 5

- 7 Place the 5 MDF shelves onto the 5 shelf supports and fit the remaining 4 plastic feet to the tops of the uprights. (Pic 6)



Pic 6

SHELF POSITION RECOMMENDATIONS



NUMBER OF HOLES ON KEYHOLE UPRIGHT BETWEEN SHELF SUPPORTS